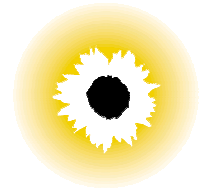


# On-Structure Deck and Paving Supports SpiraPave® Assembly Instructions (ESP)

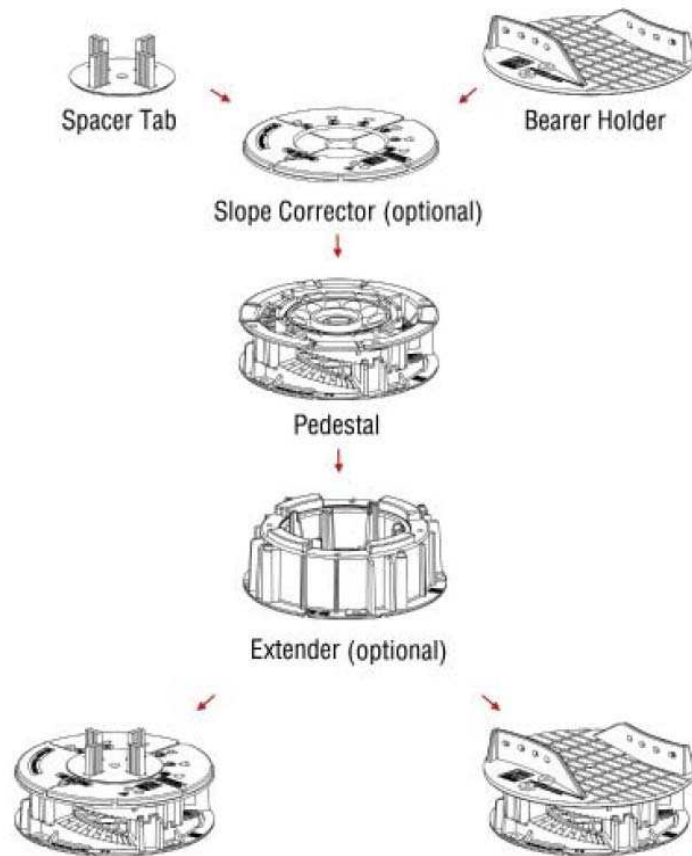


**Tournesol**  
SITEWORKS

This instruction is a guide for the assembly of the SpiraPave on-structure deck and paving support components.

<u>PARTS/HARDWARE LIST</u>		
SpiraPave Support 1/2" – 3/4"	SpiraPave Support 5/8" – 7/8"	
SpiraPave Support 7/8" – 1 1/8"	SpiraPave Support 1 1/8" – 1 3/4"	
<u>Accessories</u>		
SpiraPave Top Slope Corrector	SpiraPave Beam Support	SpiraPave Extender
SpiraPave Spacer Tab 0.15"	SpiraPave Spacer Tab 0.24"	SpiraPave Spacer Tab 0.31"

Tools Required: No tools are required for assembly.



SpiraPave System Components

**Tournesol Siteworks, LLC**

**Complete Landscape Solutions for the Urban Environment**

30955 San Antonio St., Hayward, CA 94554

ph: 800.542.2282 f: 510.471.6243

www.tournesolsiteworks.com

48-00091-00, Rev. A

## STEPS

### 1) Assembling a SpiraPave Pedestal

Your SpiraPave may come in pairs or you may need to assemble a pair from individual components to make a basic pedestal. The components that make up a pair will depend on the desired height and the amount of height adjustment required.

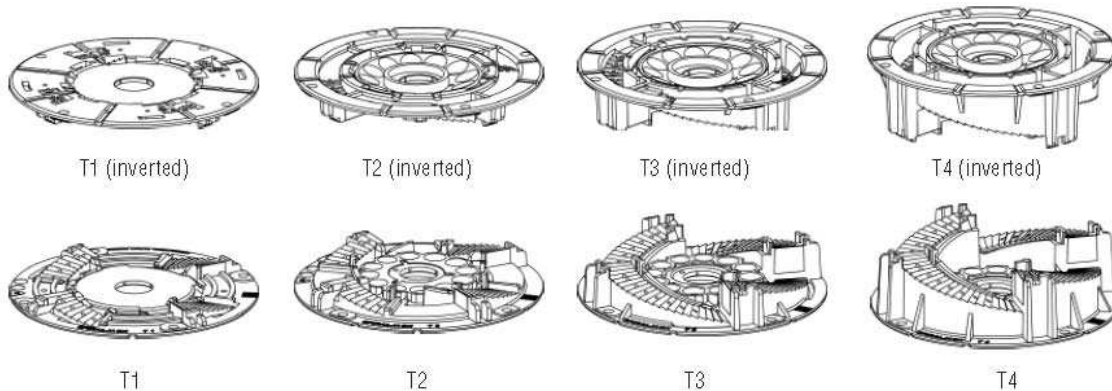


Fig. a) Pairing components for basic pedestal

Pairing these components creates a pedestal with the desired height.

Configuration	Component 1	Component 2	Height Adjustment
ESP-1	T1	T1	1/2" to 3/4"
ESP-2	T1	T2	5/8" to 7/8"
ESP-3	T2	T2	7/8" to 1 1/8"
ESP-4	T3	T3	1 1/8" to 1 3/4"
ESP-5	T3	T4	1 3/4" to 2 3/8"
ESP-6	T4	T4	2 3/8" to 3"

Once you've identified the components, simply face them so that the steps are toward one another and press together. The height is adjusted by twisting clockwise.

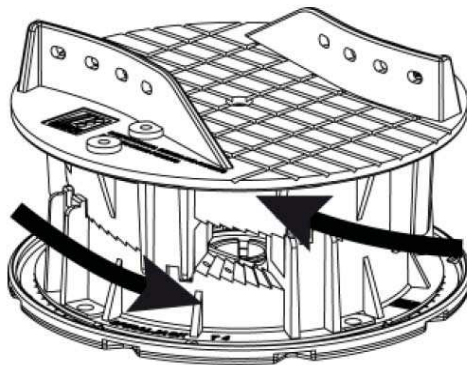


Fig. b) Twist clockwise for height adjustment

**Tournesol Siteworks, LLC**  
**Complete Landscape Solutions for the Urban Environment**  
 30955 San Antonio St., Hayward, CA 94554  
 ph: 800.542.2282 f: 510.471.6243  
[www.tournesolsiteworks.com](http://www.tournesolsiteworks.com)  
 48-00091-00, Rev. A

## 2) Adding Accessories

You may require an extension, beam support or slope correction. These are simply added to the top or bottom of the pedestal pairing depending on the accessory to be used.



Fig. c) SpiraPave Extension Platform

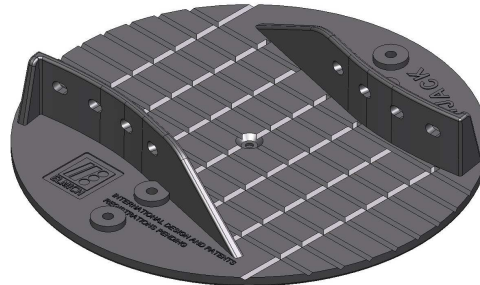


Fig. d) SpiraPave Beam Support

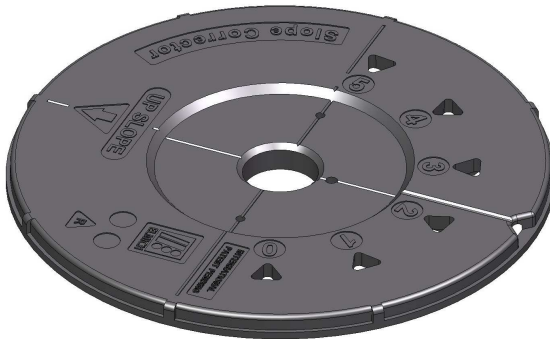


Fig. e) SpiraPave Slope Corrector

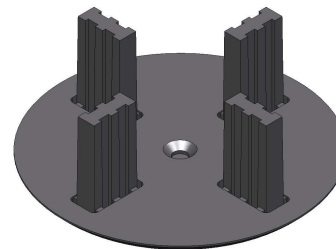


Fig. f) SpiraPave 1/4" Spacer Tab

An extender will be placed below the pedestal pair while slope correctors can be used on top or the bottom of a pedestal pair, but can only be placed on top if an extender is used. Beam supports and spacer tabs will be placed on the top of the pedestal pair and a beam support or spacer tab can also be placed on top of a top-mounted slope corrector.

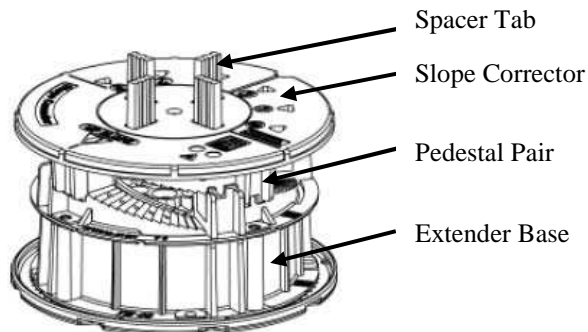


Fig g) Accessory Assembly

**Tournesol Siteworks, LLC**  
**Complete Landscape Solutions for the Urban Environment**  
30955 San Antonio St., Hayward, CA 94554  
ph: 800.542.2282 f: 510.471.6243  
www.tournesolsiteworks.com  
48-00091-00, Rev. A

A simple reminder, the slope corrector and the beam support will add a small amount to the overall height of the pedestal, so take that into account when determining the pairing of pedestal components. The extender will add 1 ¾" to the height of the pedestal.

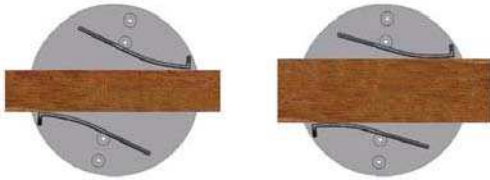


Fig. h) Beam Support

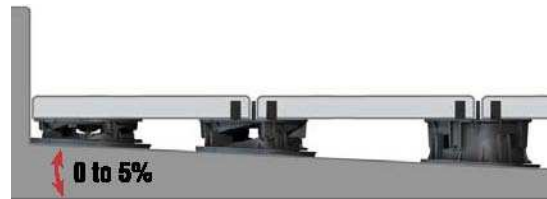


Fig. i) Slope Corrector on bottom

The beam support is suitable for 2" – 3" width beams. The slope corrector allows 0 to 5° of slope correction and if used on the bottom of a pedestal pairing, it will allow the pedestal to be upright.